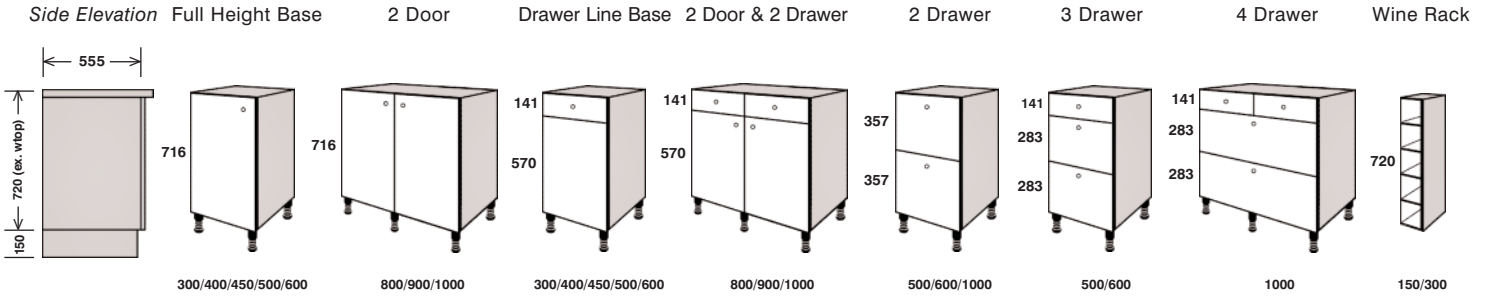


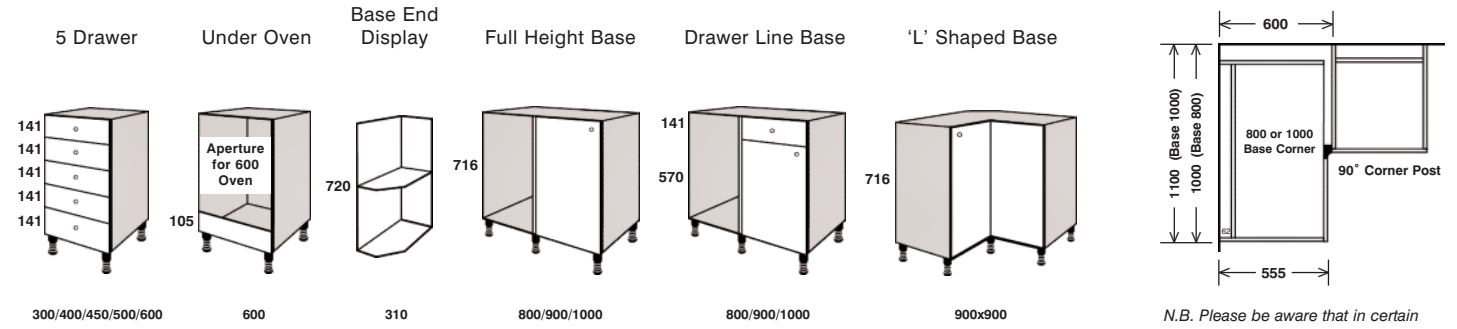
Base Cabinet Dimensions



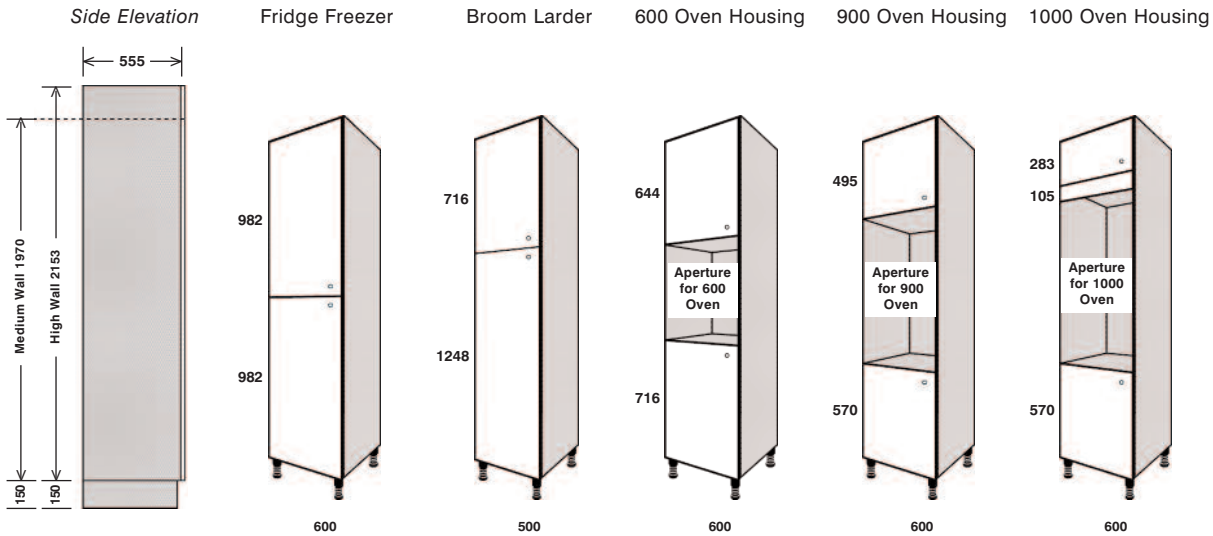
Drawer Cabinets

Corner Cabinets

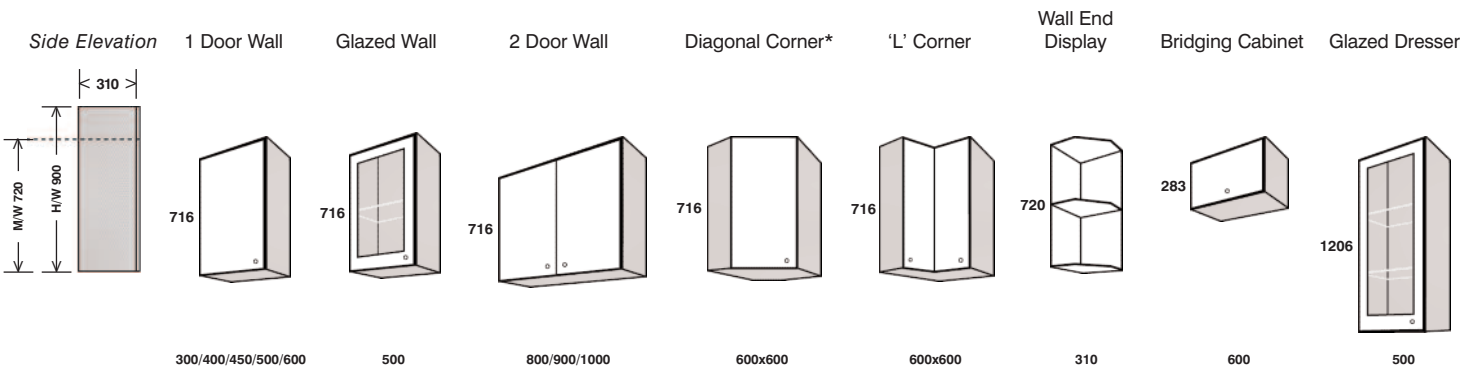
Base Corner Plan



Tall Cabinet Dimensions



Wall Cabinet Dimensions



Illustrations are not truly representative. E. & O.E.

* Use only with adjacent cabinets on both sides

All Lifestyle kitchens are supplied with soft close drawers.